

1/3" Vandal Resistant Fixed Dome  
Camera - CMOS




---

## FEATURES

---

- 1/3" Digital Pixel System 410.000 pixels
- DSP (Digital Signal Processor)
- 3 Way Axis Gimbal, wall mountable
- 480 (colour) 530 (b&w) TV Lines Horizontal Resolution
- WDR function, colour/b&w function
- Digital Noise Reduction
- On- screen- menus
- Varifocal Lens: f = 2.9 - 10 mm, auto iris
- Power Input AC24V/DC12V

---

## SUMMARY

---

This colour/monochrome vandal resistant camera is capable of superb high quality images, thanks to its state-of-the-art 1/3" CMOS Orca chipset. Easy to install, and flexible to positioning thanks to the 3 way gimbal design with a vari-foacl lens.

Through the use of latest technology CMOS chipset processors and an outstanding digital signal process, this camera provides extremely sharp image quality.

By using backlight compensation function, it is able to give brighter and sharper images of an object darkened by background lighting or sunlight.

The highly sensitive CMOS chipset allows optimum observation of parking lots or building interiors that are dimly lit at best.

Go through the OSD set up procedures and you can be assured of excellent images, utilise the Auto/Manual white balance function, and the camera ensures accurate representation of colours under most environments. The IP66 class vandal resistant camera can be installed in outdoor enviroments.

The camera can be powered both AC24V and DC12V (non-polar) with the use of power adapter.

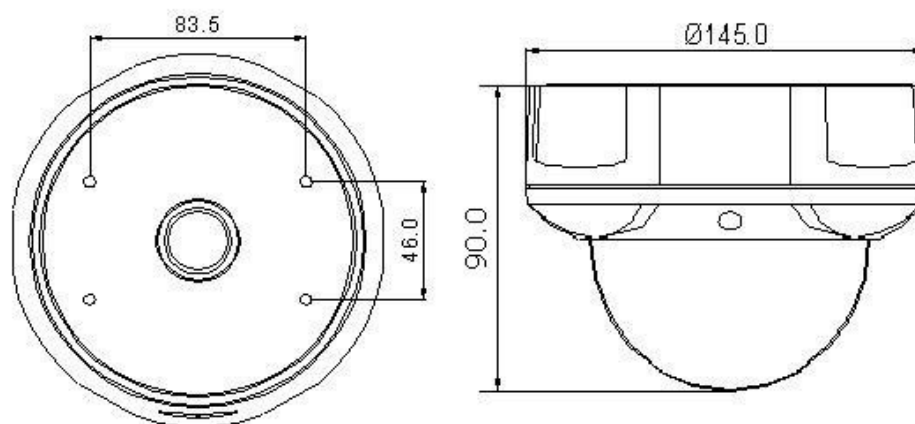
1/3" Vandal Resistant Fixed Dome  
Camera - CMOS

### SPECIFICATIONS

Image Sensor	1/3" CMOS DSP ORCA Chipset
Scanning System	PAL, 50Hz, 2:1 Inter Line Transfer
Resolution	480 (H) lines colour 530 (H) lines b&w
Sensitivity Colour	0.1 lux
Sensitivity B&W	0.3 lux
S/N Ratio	48 dB
BLC	On/Off + WDR (auto, low, high, custom)
AGC	Off, Low, High (3 steps)
DNR	On/Off
White Balance	(2000°~11000°K) ATW, AWC, Manual
Lens Focal Length	2.9 ~ 10 mm
Lens Drive Type	DC auto iris
Shutter Speed	1/50 sec to 1/100,000 sec
Protection Rating	IP66
Video Outputs	1 CVBS, 1Vpp, BNC
Operating Temperature	0°C ~ +45°C
Supply Voltage	12 VDC / 24 VAC
Power Consumption	3 W
Weight	1.1 kg
Dimensions w*h*d	Ø 145 x 100 mm



### DIMENSIONS



Design and specifications are subject to change without notice

Status 02/2009